

RANCHER®

SERIES



RANCHER-65

LIGHTWEIGHT SLIP-ON UNIT

The **RANCHER-65** is designed for use on ATVs and other small utility vehicles. Compact and lightweight, this unit can rapidly access remote areas beyond the reach of standard skid units. A **RANCHER** can be used for a variety of water handling applications such as park and spot fire patrol, prescribed burns, mop-up operations, and general farm and rural community work. It is easy to operate and maintain and can slide on and off a vehicle as needed. The **WATERAX** pump ensures quality, reliability, and durability while the lightweight non-corrosive piping makes for an enduring robust plumbing system. The entire assembly is firmly mounted on a matte copolymer polypropylene base with rails and cut-outs for easy lifting.

The **WATERAX RANCHER-65** unit offers a 65 US gal (246 L) tank configuration. Choice of NH and NPSH threads for the 1.5" (38 mm) discharge and overboard suction with corresponding caps. Units can also come equipped with a Scotty foam eductor/mixer. Optional canvas covers available for unit protection during transport and storage.

Emissions compliant; engine is CARB and EPA certified.

Applications

- Attack line firefighting
- Park and spot fire patrol
- Prescribed burns
- Mop-up operations

Options

- Suction 1-1/2" (38 mm) NH or NPSH
- Discharge 1-1/2" (38 mm) NH or NPSH
- Scotty foam educator/mixer
- UV resistant vinyl covers (RNCH65-COVER)
- Hand pump for draining of engine oil (ITT-33799-0000)

Models

- **RNCH65N** Discharge thread (NH threads)
- **RNCH65NF** Discharge thread (NH threads), includes foam educator/mixer
- **RNCH65S** Discharge thread (NPSH threads)
- **RNCH65SF** Discharge thread (NPSH threads), includes foam educator/mixer

FEATURES & BENEFITS

TANK 65 US gal (246 L)

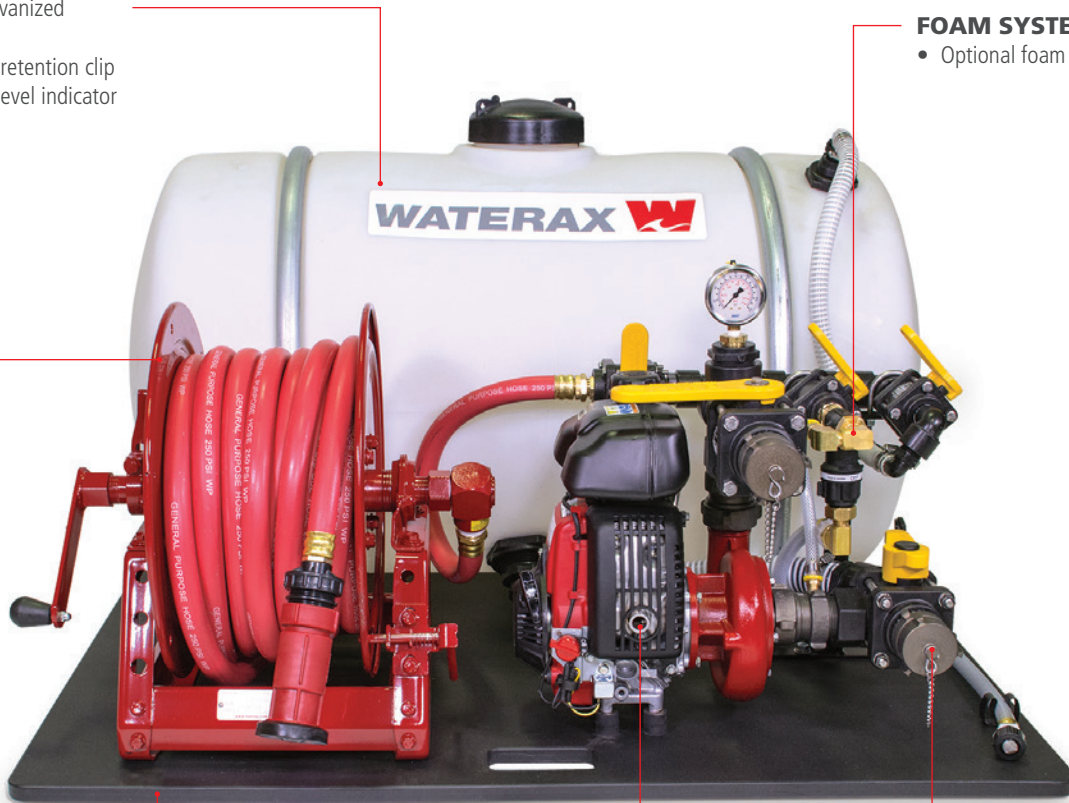
- Lightweight polyethylene
- Secured with galvanized steel tank bands
- Robust cap with retention clip
- Tank side water level indicator

FOAM SYSTEM

- Optional foam eductor/mixer

MANUAL REEL

- Ultra-durable aluminum alloy
- Standard booster hose 3/4" x 50' (19 mm x 15.2 m)
- 6-14 US gal/min (23-53 L/min) CORDOVA nozzle



LOW MOUNT BASE

- Robust copolymer polypropylene
- Rails
- Four cut-outs for easy lifting

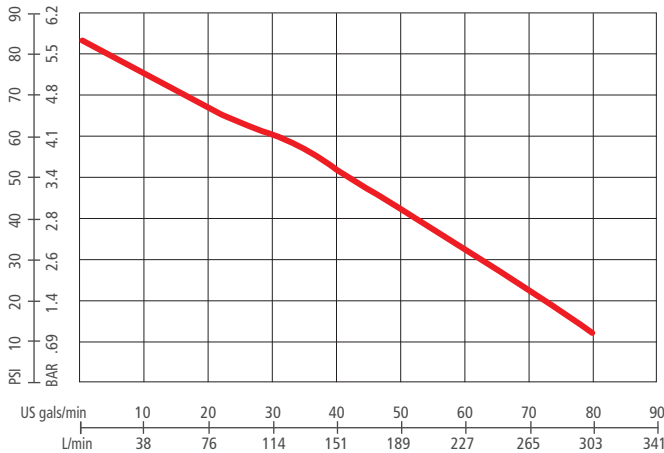
WATERAX PUMP

- Close coupled single stage premium centrifugal pump end
- Anodized pump parts for corrosion resistance
- Governor system for overspeed protection
- Easy to use Honda 4-stroke engine
- US Forest Service approved spark arrestor

PLUMBING

- Non-corrosive polypropylene piping
- 1.5" (38 mm) discharge valve w/cap and chain
- 1.5" (38 mm) overboard suction port w/cap and chain
- Pump to tank recirculation line (bypass)
- Pressure gauge

SPECIFICATIONS



Performance: MINI-STRIKER flow rate at specified pressure

Maximum Pressure: 85 PSI (5.9 bar)
 Free flow: 80 US gals/min (303 L/min)
 Maximum Head: 196' (60 m)

Flow Rate			Pressure	
US GPM	(LPM)	@	PSI	(BAR)
68	(257)	@	25	(1.7)
42	(159)	@	50	(3.4)
12	(45)	@	75	(5.2)

Engine Specifications

Engine Honda® GXH50
 4-cycle, air-cooled, single cylinder, OHV

Maximum power 2.5 hp (1.9 kW)

Displacement 49.4 cc (3.01 cu in)

Starting system Recoil starter

Ignition Transistorized magneto

Governor Mechanical

Lubrication Oil, splash

Fuel type Gasoline (unleaded, 86 minimum octane, 10% max. ethanol)

Fuel consumption 0.17 US gals/hr (0.65 L/hr)

Emissions compliant; engine is CARB and EPA certified.

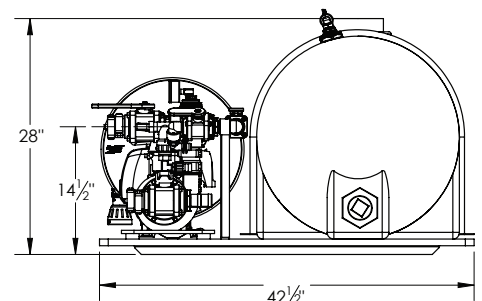
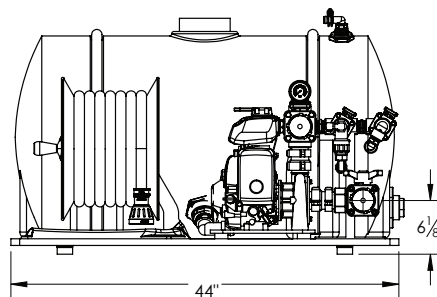
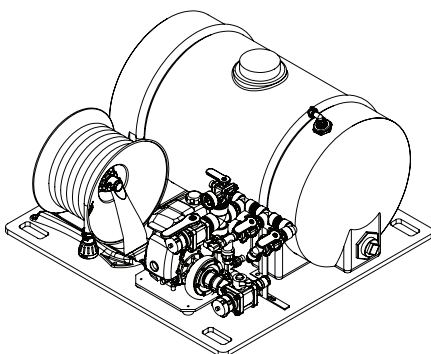
Pump End Specifications

- Close coupled single stage premium centrifugal pump end
- Lightweight aluminum alloy pump components
- Anodized pump parts for corrosion resistance
- Foam compatible
- Stainless steel pump shaft
- Mechanical rotary seal

Technical Drawings

Length 42-1/2" (108 cm)
 Dry Weight 159 lbs (72 kg)

Width 44" (112 cm) Height 28" (71 cm)
 Wet Weight 702 lbs (318 kg)





WATERAX Inc.
6635 Henri-Bourassa W.
Montreal, QC H4R 1E1

TF 855-616-1818

T 514-637-1818

F 514-637-3985

info@waterax.com
www.waterax.com

Distributed by:

All information contained in this document including drawings is proprietary to *WATERAX* and may not be copied, reproduced or used in whole or in part without our prior written permission. The information in this document is subject to change without notice. Model displayed with multiple options. Weight and dimensions are approximated and may vary depending on options.